

AB-1408, AB-1412

Pole-top Single Head



BEACON HEAD

- 2-piece 100% polycarbonate signal housings
- Lightweight
 - UV stabilized for longevity and non-fading colour
 - Reinforced with steel Redi-Rod for greater strength

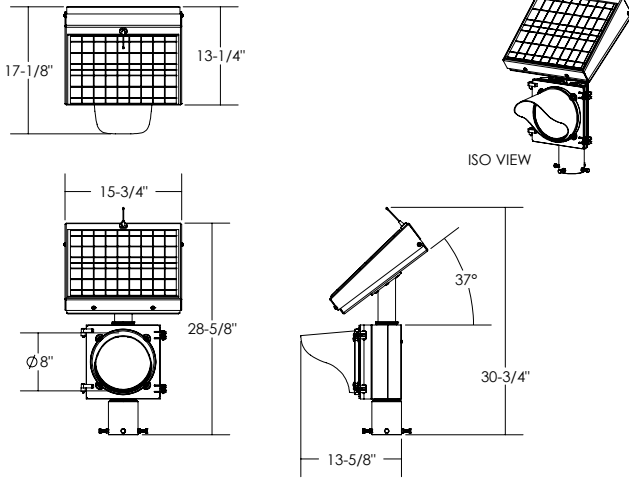
SOLAR ENGINE

- Solar engine includes solar panel, battery and control electronics with radio communication
- Elegant, integrated design simplifies installation and resists vandalism
 - Solid aluminum enclosure with durable powder-coated finish
 - Check use of UC/LC Cellular USB programming capability for scheduled flash periods.
- Primary units relay scheduled flash commands to secondary beacons.

Pedestrian-Activated Crosswalk Beacon: 1400 Series

AB-1408

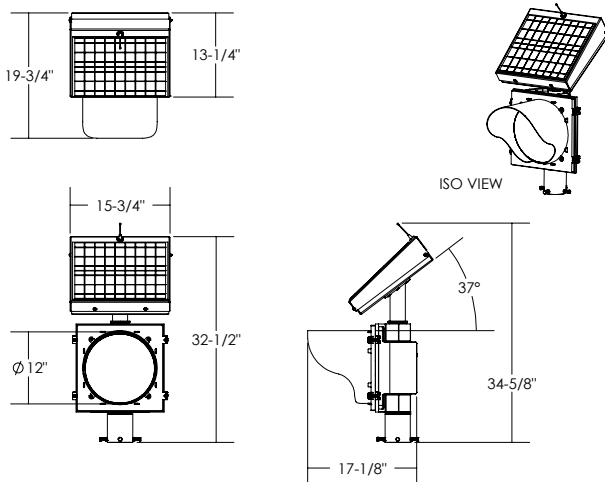
Single 8", pole top mounting.



Dimensions are in Inches $\pm 1/16$ "

AB-1412

Single 12", pole top mounting.



Dimensions are in Inches $\pm 1/16$ "

SPECIFICATIONS

SYSTEM OVERVIEW

| | |
|--------------------------|---|
| Certification | CE and UL certified electrical components |
| Compliance | FHWA MUTCD compliant FCC EMC Class A verified |
| Operation | Pedestrian push button or remote controlled |
| Flash patterns | MUTCD (0.5 second on, 0.5 second off) or JSF Tech High Visibility Strobe Pattern |
| Activation duration | Variable from 5 seconds to 4 hours |
| Operating temperature | -40°F to +165°F (-40°C to +74°C) |
| Controller input voltage | 12 V DC |
| Solar panel | 20 W nominal 12 V, CE and TUV certified |
| Battery storage | AGM 12 V, 18 Ah, UL certified, field replaceable, Optional cold weather battery upgrade |
| Alternate power | AC-compatible includes "Battery Tender® 800" |

POWER MANAGEMENT

| | |
|------------------|--|
| Rated Usage | 300 cycles per day, 25 second activation |
| Charged capacity | Up to 30 days at rated usage (without charging) |
| Auto brightness | 6 stages of brightness for different light conditions and battery levels |
| Self monitoring | Visual notification of sub-optimal operation |

LED MODULE

| | |
|-----------------|---|
| Standard | ITE VTCSH-STD 2005 |
| Lens | UV stabilized polycarbonate and Abrasion resistant |
| Size | 8" or 12" diameter (200 mm or 300 mm) |
| LED color | Amber |
| Additional LEDs | Optional tell tale LED (amber, approx - 1" x 2") |

COMMUNICATION

| | |
|-------------------|--|
| Type | ISM spread spectrum radio, 902-928 MHz |
| Range | Up to 0.5 miles (800 m) with line of sight |
| Network addresses | 16 unique addresses to avoid interference between multiple crosswalk locations |
| Compatibility | All AB family units and third-party devices |
| Push buttons | Polara Bulldog, Polara XAV, Campbell 4EVR, Campbell Guardian AGPS |

PHYSICAL DESIGN

| | |
|------------------------|--|
| Configuration | Fully self-contained |
| Color | Black, green or yellow Custom colors also available |
| Solar engine | 6061-T6 powder coated aluminum |
| Signal housing | 100% Polycarbonate |
| Weight | Approx - 8": 31 lbs (20 kg) 12": 34 lbs (22 kg) |
| Available mounting for | Round pole: 2", 3", 4.5" Square post: 4", 6", 4"x 6" Telespar & U-Channel: 2" Mid-pole side mount |

WARRANTY

5-year Limited Warranty for defects in workmanship and materials (excludes batteries and vandalism)

CONTACT



JSF Technologies is backed by a select group of resellers around the globe. To find a representative in your region please contact us:

Rev C.3 — October 15, 2018

*Specifications subject to change without notice.

1.250.544.1640

1.800.990.2454

www.jsftech.com

