

AB-2408, AB-2412 (20W)

Pole-top or Side-mounted Dual Heads



BEACON HEADS

- 2-piece 100% polycarbonate signal housings
- Lightweight
- UV stabilized for longevity and non-fading colour
- Sturdy bottom bracket supports beacon heads and allows them up to 180° of rotation
- Also available with side-of-pole mounting signal heads

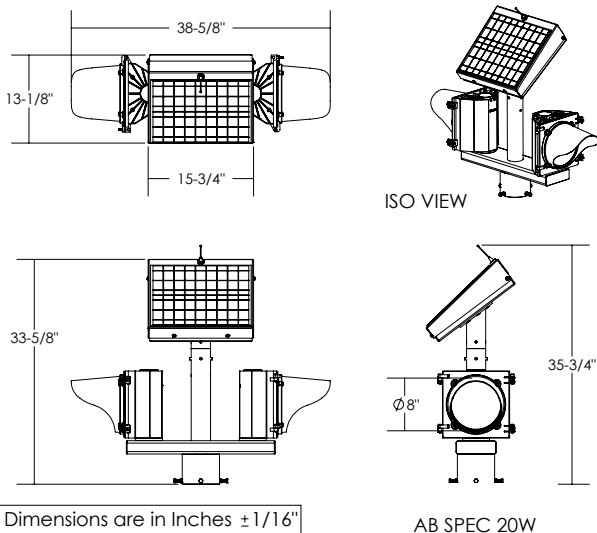
SOLAR ENGINE

- Solar engine includes solar panel, battery and control electronics with radio communication
- Elegant, integrated design simplifies installation and resists vandalism
- Solid aluminum enclosure with durable powder-coated finish

Pedestrian-Activated
Crosswalk Beacon: **2400 Series**

AB-2408 (20W)

Single 8", pole top or side mounting.

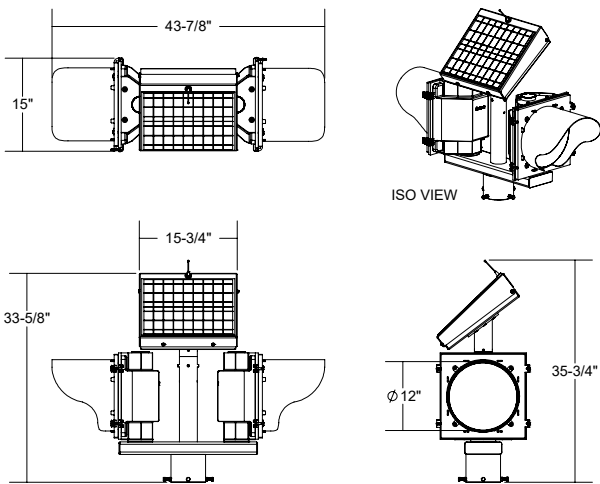


Dimensions are in Inches $\pm 1/16$ "

AB SPEC 20W

AB-2412 (20W)

Dual 12", pole top or side mounting.



Dimensions are in Inches $\pm 1/16$ "

SPECIFICATIONS

SYSTEM OVERVIEW

Certification	CE and UL certified electrical components
Compliance	FHWA MUTCD compliant FCC EMC Class A verified
Operation	Pedestrian push button or remote controlled
Flash patterns	MUTCD (0.5 second on, 0.5 second off) or JSF Tech High Visibility Strobe Pattern
Activation duration	Variable from 5 seconds to 4 hours
Operating temperature	-40°F to +165°F (-40°C to +74°C)
Controller input voltage	12 V DC
Solar panel	20 W nominal 12 V, CE and TUV certified
Battery storage	AGM 12 V, 18 Ah, UL certified, field replaceable, Optional cold weather battery upgrade
Alternate power	AC-compatible includes "Battery Tender® 800"

POWER MANAGEMENT

Rated Usage	300 cycles per day, 25 second activation
Charged capacity	Up to 30 days at rated usage (without charging)
Auto brightness	6 stages of brightness for different light conditions and battery levels
Self monitoring	Visual notification of sub-optimal operation

LED MODULE

Standard	ITE VTCSH-STD 2005
Lens	UV stabilized polycarbonate and Abrasion resistant
Size	8" or 12" diameter (200 mm or 300 mm)
LED color	Amber
Additional LEDs	Optional tell tale LED (amber, approx - 1" x 2")

COMMUNICATION

Type	ISM spread spectrum radio, 902-928 MHz
Range	Up to 0.5 miles (800 m) with line of sight
Network addresses	16 unique addresses to avoid interference between multiple crosswalk locations
Compatibility	All AB family units and third-party devices
Push buttons	Polara Bulldog, Polara XAV, Campbell 4EVR, Campbell Guardian AGPS

PHYSICAL DESIGN

Configuration	Fully self-contained
Color	Black, green or yellow Custom colors also available
Solar engine	6061-T6 powder coated aluminum
Signal housing	100% Polycarbonate
Weight	Approx - 8": 45 lbs (20 kg) 12": 49 lbs (22 kg)
Available mounting for	Round pole: 2", 3", 4.5" Square post: 4", 6", 4"x 6" Telespar & U-Channel: 2" Mid-pole side mount

WARRANTY

5-year Limited Warranty for defects in workmanship and materials (excludes batteries and vandalism)

CONTACT



JSF Technologies is backed by a select group of resellers around the globe. To find a representative in your region please contact us:

1.250.544.1640

1.800.990.2454

www.jsftech.com



Rev C.2 — November 7, 2018

*Specifications subject to change without notice.