



CLEARING THE WAY TO MOVE YOU FORWARD



MOTORCYCLE MOUNTED PREEMPTION EMITTER

WWW.TOMAR.COM

[f](#) [t](#) [in](#) [@](#)tomarUSA



Motorcycle Mounted Preemption Emitter

Responding to emergencies on a motorcycle can not only be scary, but extremely dangerous! Your maneuverability and remarkable response time should not be hindered by opposing traffic. The NEW TOMAR Motorcycle Mounted Preemption Emitter increases your safety and reduces obstacles along the way.

The TOMAR 3065-MOTO and T792HL-MOTO were purposefully designed to be mounted on various models of law enforcement motorcycles to make your expedited response safer. Available in self-contained or remote mounted versions, the emitter generates an optical signal that is detected by both TOMAR and *GTT OPTICOM Compatible systems. This signal begins the quick process of stopping opposing traffic so you can safely navigate through the intersection.

T792HL-MOTO Models

Emit any of 10,000 GTT OPTICOM vehicle ID's in 10 classes of either command (high) or advantage (low) priorities.

3065-MOTO Models

Emit any of 65,000 vehicle ID's of either Emergency Band (high) or Transit Band (low) priorities.

Both T792HL and 3065 models are equipped with continuous self-diagnostics with visual feedback and a highly adaptable automatic disable system to prevent intersection lockup.

Part Numbers:

T792HL-MOTO: Emitter & Power Supply

T792HL-MOTO-R: Remote Emitter & Remote Power Supply

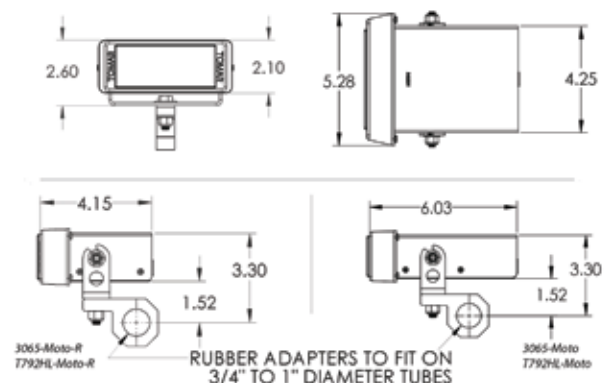
3065-MOTO: Emitter and Power Supply

3065-MOTO-R: Remote Emitter and Remote Power Supply

Dimensions:

T792HL-MOTO & 3065-MOTO: 5.28"W x 2.1"H x 6.03"D

T792HL-MOTO-R & 3065-MOTO-R: 5.28"W x 2.1"H x 4.15"D



- Self-contained, potted emitter assembly
- Min 2,500 Feet Detection*
- 12 or 24 VDC
- Weather Resistant
- Hermetically sealed lamp
- Power and control cable included
- Waterproof connectors
- Disable feature can be latching/non-latching, GND or +BAT polarity
- An optional visible light filter can be added to make emitter operation invisible (sold separately)
- 10 Year Warranty on power supply and 2 Year Warranty on the lamp

*OPTICOM and GTT are trademarks of Global Traffic Technologies, LLC and are not affiliated with Tomar Electronics, Inc. or its products.