

# DR2 LED Signal Modules

100 mm



## Features

- Assembles with most fixtures using customizable adaptors
- Wide operating voltage range (nominal 120V & 230V)
- Designed for operating temperature range of -40°C to +60°C
- Moisture and dust tight seal (IP 55)
- New or retrofit use
- Strong polycarbonate front lens
- Longer lifetime compared to incandescent bulb (over 50,000 hours)

## Benefits

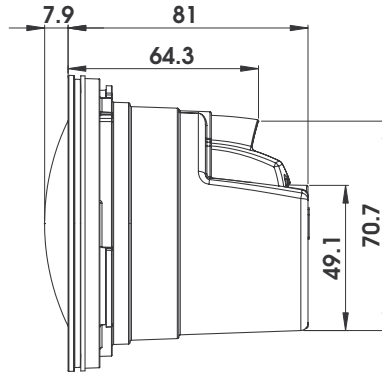
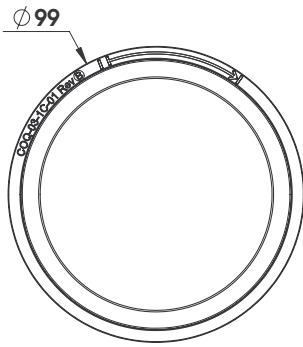
- Reduces overall operating and maintenance costs
- Low energy consumption (up to 90% savings over a typical incandescent light bulb)
- 5-year limited warranty on material and workmanship



# DR2 LED Signal Modules

- 100 mm

## Mechanical Outline (Nominal dimensions in mm)



## Design Compliance

Test Type	Compliance
Electronic Noise	EN55022 Class B FCC Title 47 Sub B, Sec. 15 - Class A
Impact Resistance	EN60598-1 Class IR3*
Ingress Protection	EN60529 Rating IP55*

\* Designed to meet EN12368 requirement.

## Operating Specifications

Parameter	Range
Operating Temperature Range	-40°C to +60°C
Input Voltage	80V - 265V
Power Factor (PF)	>90%
Total Harmonic Distortion (THD)	<20%
Minimum Turn-Off Voltage	55V
Turn-on Time	<250ms
Lens and Shell material	UV Stabilized Polycarbonate

## Product Information

Model Number	Nominal Dimensions mm	Dominant Wavelength <sup>1</sup> nm	Power (W) Nominal	Min. Stabilized Luminous Intensity (Cd)
DR2-RCFB-40U	100	618 - 633	3	100
DR2-YCFB-40U	100	586 - 596	3	100
DR2-GCFB-40U	100	495 - 512	3	100

<sup>1</sup> As per EN12368

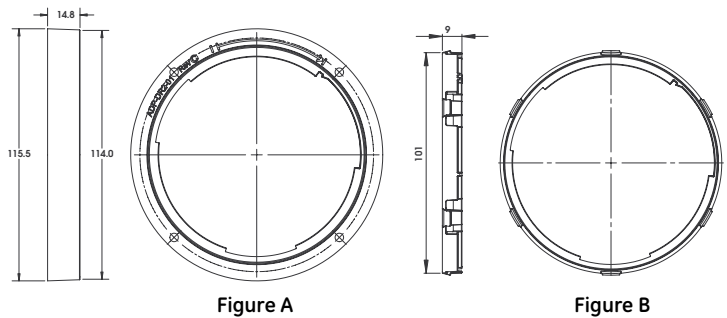
## Adaptor Information<sup>2</sup>

Model Number	Kit Ordering <sup>3</sup>	Size mm	Figure
ADP-DR2-01	ADP-DR2-KIT20-01	115	A
ADP-DR2-02	ADP-DR2-KIT20-02	101	B

<sup>2</sup> Other adaptors available upon request

<sup>3</sup> Box Quantity = 20

Nominal dimensions in mm.



Distributed by:



GE Lighting Solutions • +1.216.266.2419 • www.gelightsolutions.com

GE Lighting Solutions is a subsidiary of the General Electric Company. The GE brand and logo are trademarks of the General Electric Company.  
© 2010 GE Lighting Solutions. Information provided is subject to change without notice. All values are design or typical values when measured under laboratory conditions.

TRAF123-R120110